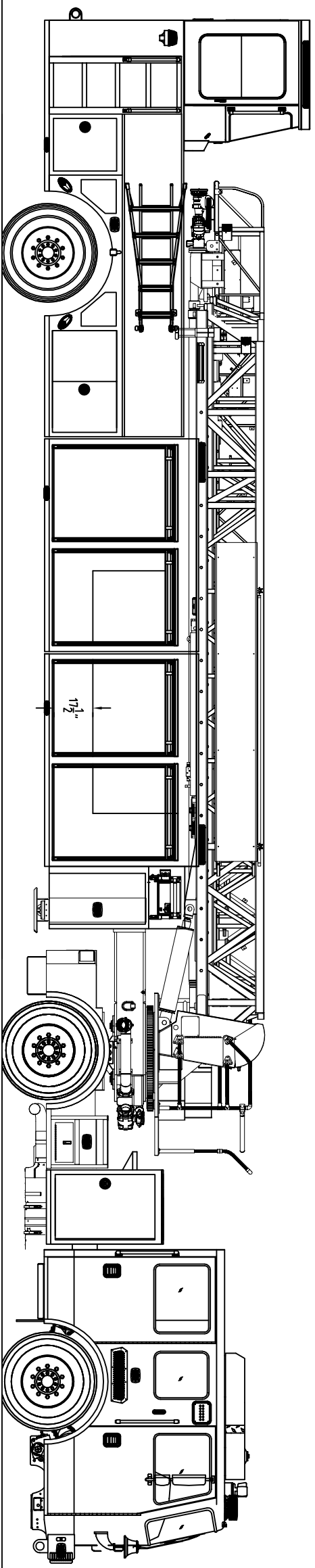
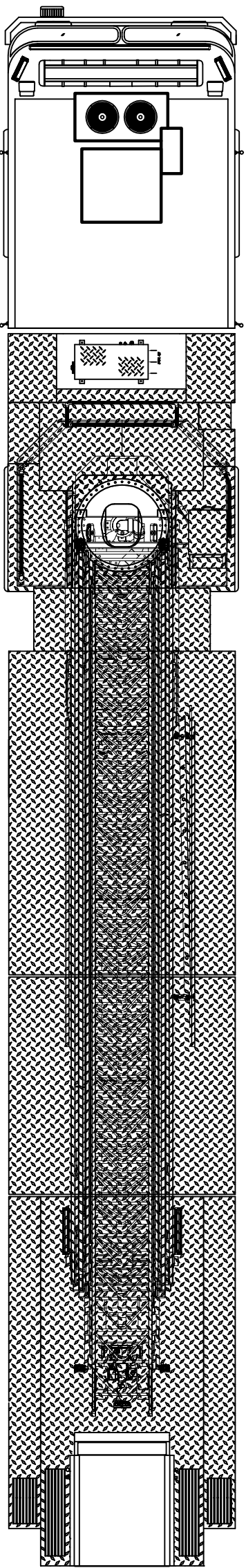


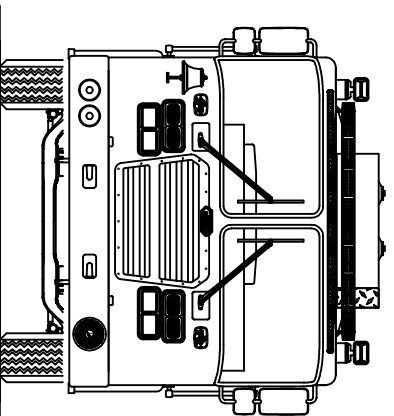
REAR VIEW



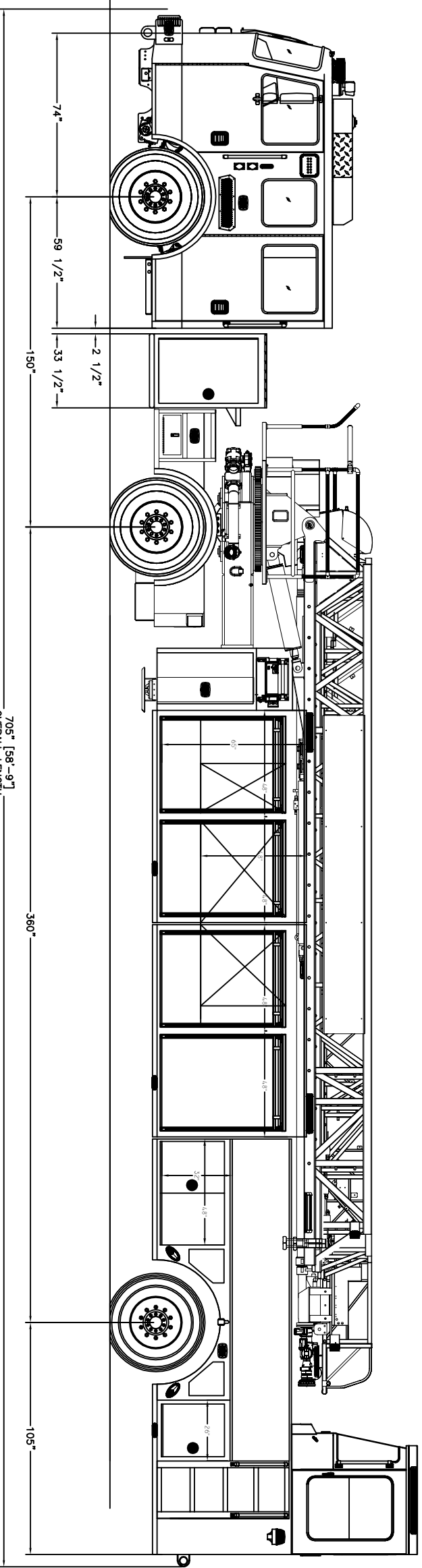
OFFICERS SIDE VIEW



TOP VIEW



FRONT VIEW



DRIVERS SIDE VIEW

CAB: SEVERE SERVICE XMFD FLAT ROOF
 ENGINE & TRANS. CUMMINS X15 600 / ALLISON 4500 EVS
 AXLES: 22,000# FRONT/31,000# REAR/ 23,000# TILLER
 PUMP: N/A
 WATER TANK: N/A
 GENERATOR: SMART POWER HR 10KW

THIS DRAWING IS A GENERAL
 CONFIGURATION AND MAY NOT
 REFLECT THE ACTUAL REQUIREMENTS.
 CONTRACTUAL REQUIREMENTS
 SHALL PREVAIL OVER DRAWING.

CUSTOMER APPROVAL:

NAME: _____
 TITLE: _____
 DATE: _____

SW#	DATE	REVISION DESCRIPTION	APP'D
SALES ENGINEER :		ZACK ZSCHUNKE	

DIMENSIONS ARE APPROXIMATE & MAY VARY DUE TO BUILD ADJUSTMENTS			
SCALE	DWG SIZE	DRAWN BY	DATE
NONE	B	ZSCHUNKE	01/19/23
101' TRACTOR DRAWN AERIAL LADDER			
HILLSBORO, OR			

QUOTE 9404-2

KME
 KME Group
 ONE INDUSTRIAL COMPLEX - NESQUEHONING, PA 18240